



# Simulator Order Information Form

Photocopy This Form For Multiple Use—Fax Or Mail This Form To RealWheels.

Date \_\_\_\_\_

## FINDING THE CORRECT SIMULATOR MODEL

To find the correct simulator for your vehicle, fill out this form, fax or mail it to RealWheels Cover Company, Inc. Upon receipt, a RealWheels representative will contact you with the correct product information.

### Standard Cut-Out Patterns

- American Road   
  Classic   
  Eliminator

## CONTACT INFORMATION

Name \_\_\_\_\_

Company \_\_\_\_\_

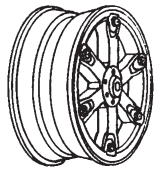
Address \_\_\_\_\_

City \_\_\_\_\_ State \_\_\_\_\_ Zip \_\_\_\_\_

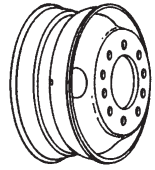
Phone (\_\_\_\_) \_\_\_\_\_

Fax (\_\_\_\_) \_\_\_\_\_

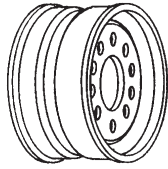
## WHEEL DIAGRAMS



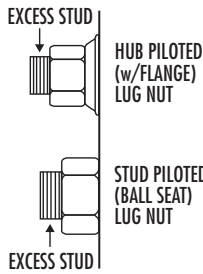
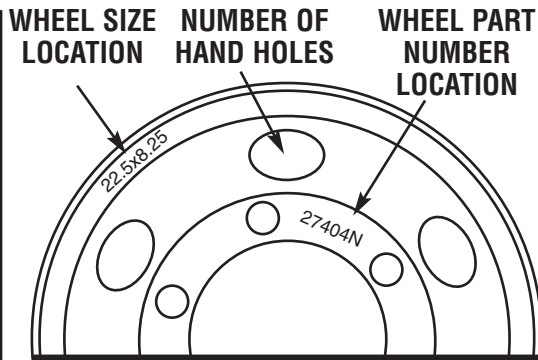
CAST SPOKE



STEEL DISC



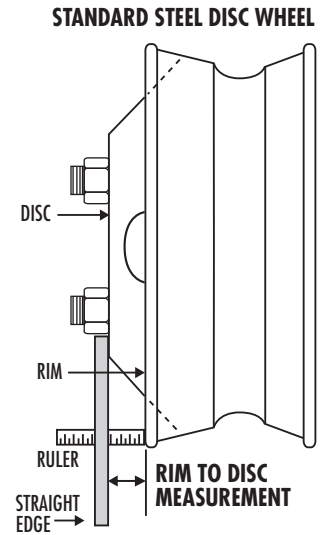
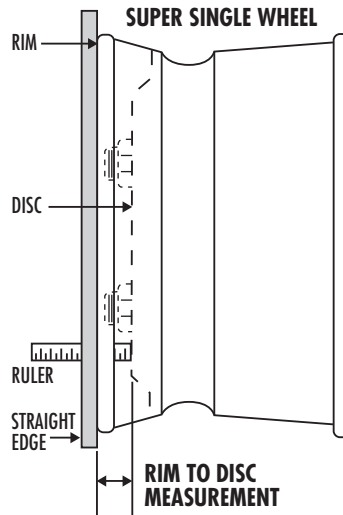
SUPER SINGLE



**Excess Stud Beyond the End of the Lug**

Yes     No  
 If Yes, How Much? \_\_\_\_\_

### USE STRAIGHT EDGE AND STEEL RULER TO MEASURE RIM TO DISC



## WHEEL INFORMATION GUIDE • INDICATE WHEEL PART NUMBER—IF YOU DON'T HAVE WHEEL PART NUMBER, SUPPLY OTHER INFO.

### FRONT (Indicate "Wheel Part No." **OR** All Other Information.)

Wheel Part No. \_\_\_\_\_

Make of Vehicle \_\_\_\_\_ Model \_\_\_\_\_ Year \_\_\_\_\_

Cast Spoke   
  Steel Disk   
  Super Single   
  Aluminum

Stud Piloted   
  Hub Piloted   
 No. of Hand Holes \_\_\_\_\_

No. of Lugs \_\_\_\_\_ Lug Nut Size \_\_\_\_\_ No. of Locators \_\_\_\_\_

Oil Cap   
 Grease Cap   
 No. of Screws \_\_\_\_\_ Wheel Size \_\_\_\_\_

Rim to Disc Measurement \_\_\_\_\_ If 20" Wheels, What is O.D. \_\_\_\_\_

### REAR (Indicate "Wheel Part No." **OR** All Other Information.)

Wheel Part No. \_\_\_\_\_

Make of Vehicle \_\_\_\_\_ Model \_\_\_\_\_ Year \_\_\_\_\_

Cast Spoke   
 Steel Disk   
 Super Single   
 Aluminum

Stud Piloted   
 Hub Piloted   
 No. of Hand Holes \_\_\_\_\_

No. of Lugs \_\_\_\_\_ Lug Nut Size \_\_\_\_\_ Wheel Size \_\_\_\_\_

Wheel Bolt Circle \_\_\_\_\_ No. of Axle Studs \_\_\_\_\_ Size \_\_\_\_\_

If 20" Wheels, What is O.D. \_\_\_\_\_ What is I.D. \_\_\_\_\_

Drive \_\_\_\_\_ Tag \_\_\_\_\_ Trailer \_\_\_\_\_ = Total \_\_\_\_\_

If Mack, Coned Shaped Axle?  Yes  No    Height of Cone \_\_\_\_\_

### 16"-19.5" Wheels (Indicate "Wheel Part No." **OR** All Other Information.)

Wheel Part No. \_\_\_\_\_

Make of Vehicle \_\_\_\_\_ Model \_\_\_\_\_ Year \_\_\_\_\_

No. of Lugs \_\_\_\_\_ Lug Nut Size \_\_\_\_\_ No. of Hand Holes \_\_\_\_\_ Wheel Size \_\_\_\_\_

Dual Rears   
 Single   
 2 Wheel Drive   
 4 Wheel Drive

Lock Out Hubs  Auto  Manual    Ford Super Duty 10 Lug?  Yes  No

**REALWHEELS COVER COMPANY, INC.** • 3940 Tannahill Drive • Gurnee, IL 60031

1-800-982-1180 • 847-662-7722 • Fax 847-662-7744 • www.realwheels.com • info@realwheels.com