

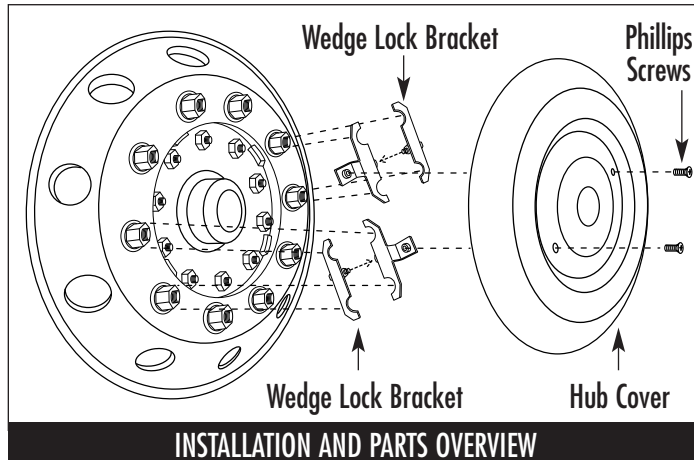
INSTALLATION OF OVER-THE-LUG HUB COVERS • MODEL RW1012SFK & MODEL RW1013HFK • PATENTED

**VERY IMPORTANT!**

Read And Understand These Steps Before Installation.

**TOOLS NEEDED**

1/2" Open End Wrench, Phillips Screwdriver



**Before You Begin**

Before starting, make sure you have the correct Wedge Lock Mounting System for your wheels:

- Model Number RW1012SFK is for 1-1/2" stud piloted wheels.
- Model Number RW1013HFK is for 33mm hub piloted wheels.

**NOTE: Your wheels must have a minimum of 1/4" of excess stud sticking out past the wheel lug nuts.**

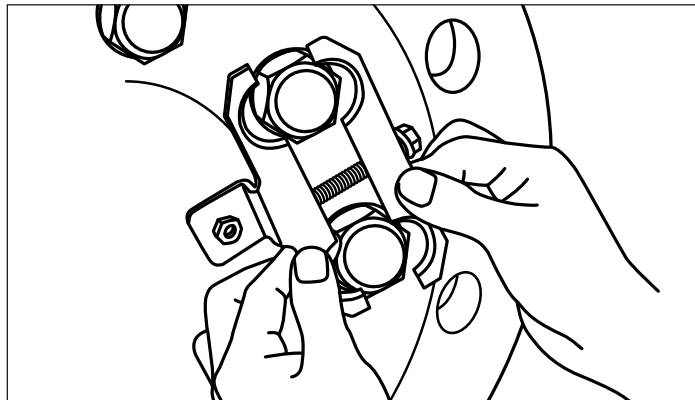


FIGURE A

**Step 1. Placing Bracket Onto Wheel Studs**

Loosen the 5/16" bolt on the side of the Wedge Lock Bracket enough so it will slide onto two of the wheel studs. (See Fig. A) Then place the Wedge Lock Bracket onto two of the wheel studs until it rests on top of the wheel lug nuts. (See Fig. B)

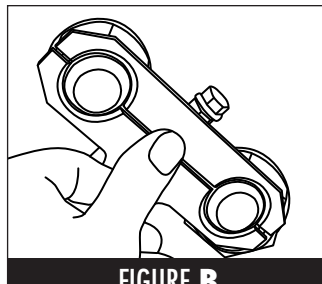


FIGURE B

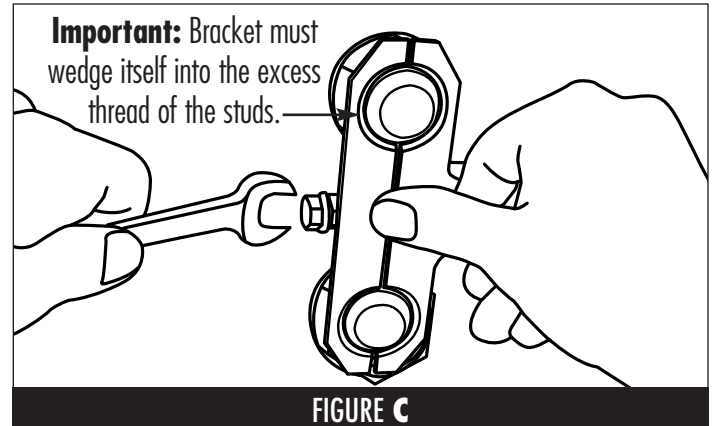


FIGURE C

**Step 2. Tightening Bracket Onto Wheel Studs**

Push and hold against the bracket making sure it is firmly on top of the wheel lug nuts. (See Fig.C) Then hand tighten the 5/16" bolt to bring the two halves of the bracket closer together, and wedging itself into the excess thread of the studs. **NOTE:** One side of the bracket may raise up a little depending what thread of the stud it wedges into, this is normal. Next with a 1/2" open end wrench begin tightening the 5/16" bolt. (See Fig. C) Make sure the bracket is flat across the face and wedging into the threads of the wheel studs, continue tightening until the wedge lock bracket is securely tight.

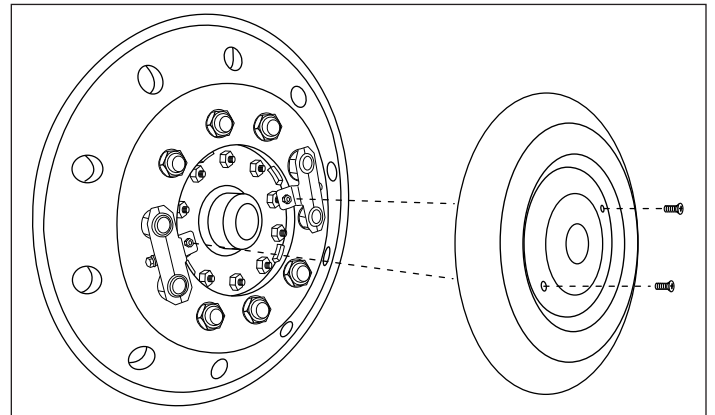


FIGURE D

**Step 3. Installing The Hub Covers**

Align the hub cover with the two threaded nuts of each bracket. (See Fig. D) Then place the phillips head screws into the holes of the hub cover, and alternate tightening them into the threads of the brackets until the hub cover is securely tight to the wheel.

**IMPORTANT:** We recommend that the hub covers are checked and inspected periodically to make sure that they are tight and secure to the wheels. If necessary retighten the mounting bolts and screws.

**Reverse Steps For Removal**