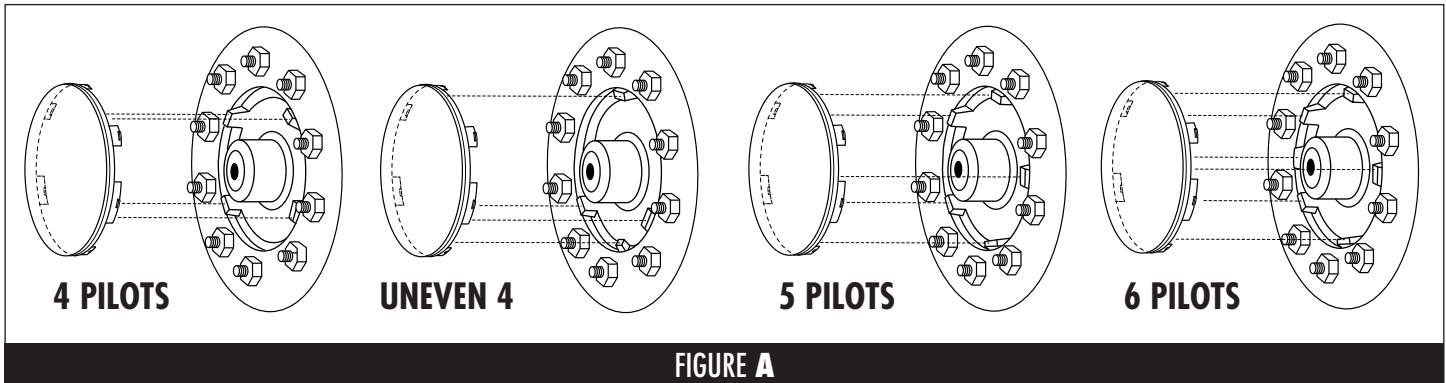


**Patented Universal Slotted Baby Moon Cover For Front Wheels With 4, 5 or 6 Pilots — Hub Or Stud Piloted!**

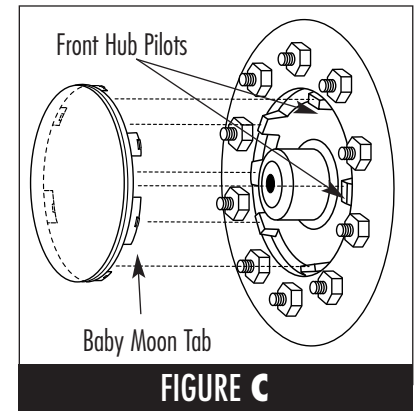
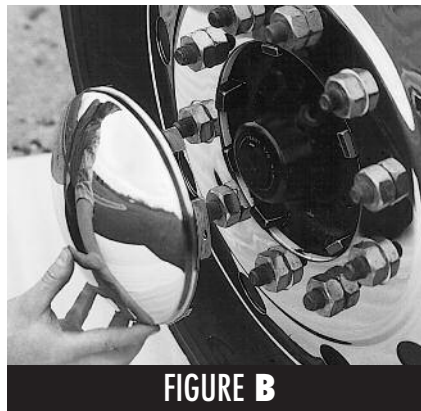
**VERY IMPORTANT!**  
 Read And Understand These Steps Before Installation.

**Easy And Secure Installation**



**Step 1.**

Hold the baby moon up to the front hub and rotate the baby moon until all the hub pilots line up with the cutout areas of the baby moon.



**Step 2.**

Get one side started, then using your fist, pound it in on the other side towards the edge of the baby moon.

**Note:** To make the baby moon fit tighter, simply bend a couple of the baby moon tabs outward.

