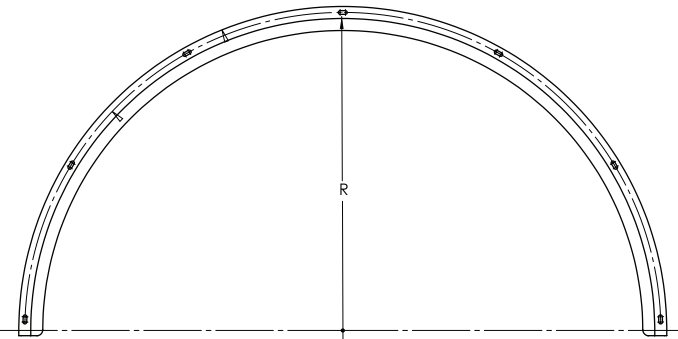


Name _____
 Company _____
 Address _____

City _____ State _____ Zip _____
 Phone _____
 email _____

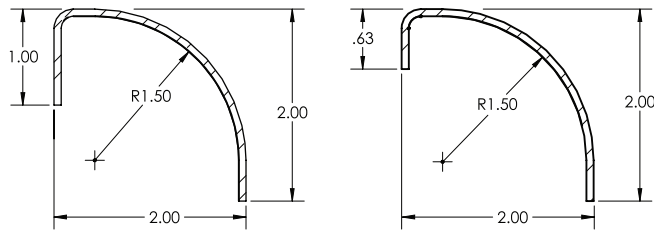


Stock Fenderette with Flange

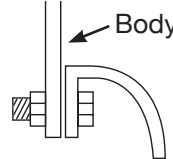


Radius Required: _____

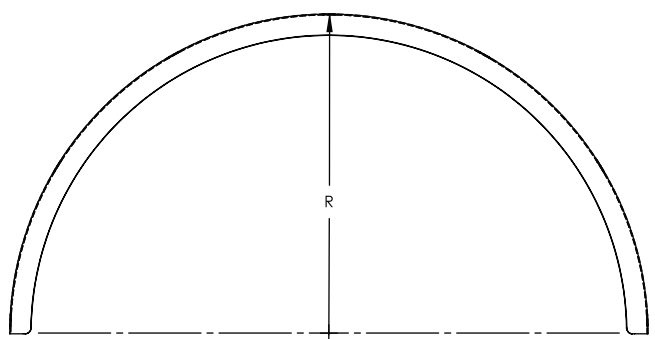
1" Flange **5/8" Flange**



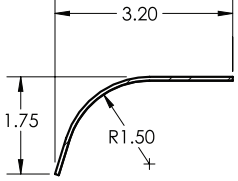
Mounts on Flange



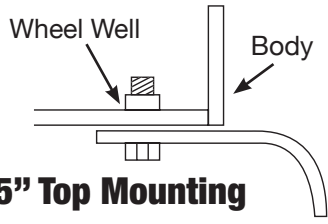
Stock Fenderette without Flange



Radius Required: _____



No Flange



1.5" Top Mounting

Number of Slotted Mounting Holes: _____

Size of Slotted Mounting Holes: 0.313" x 1.2" 0.313" x 0.75" 0.187" x 0.75"

Check All That Apply:

Area to be Straightened (if any) Beyond Center Line: _____

If not equal, Length of Fenderette on each side of Center Line: _____ C/L _____

I need a Custom Fenderette—Please Contact Me.

Comments: _____

