

Name \_\_\_\_\_

City \_\_\_\_\_ State \_\_\_\_\_ Zip \_\_\_\_\_

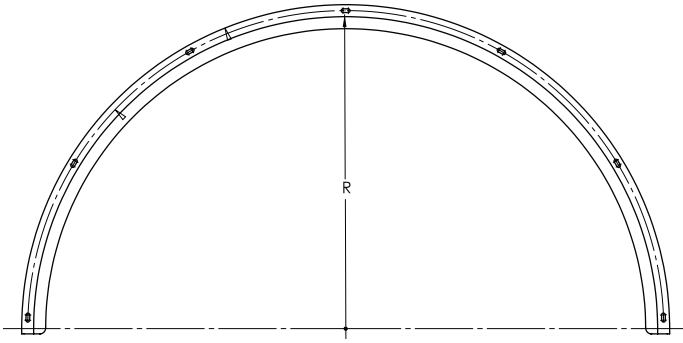
Company \_\_\_\_\_

Phone \_\_\_\_\_

Address \_\_\_\_\_

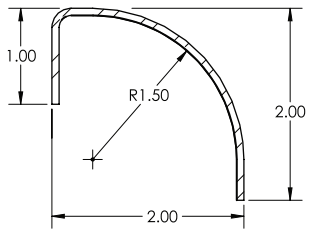
email \_\_\_\_\_

**Fenderette with Flange**

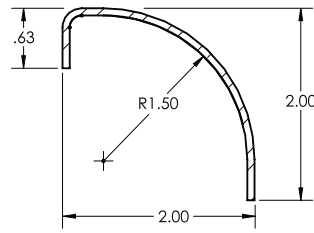


**Radius\* Required:** \_\_\_\_\_

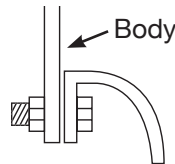
**1" Flange**



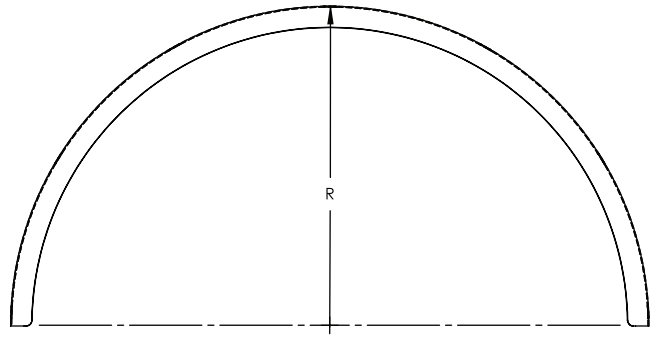
**5/8" Flange**



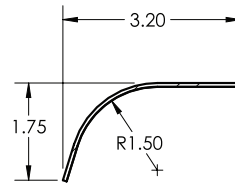
**Mounts on Flange**



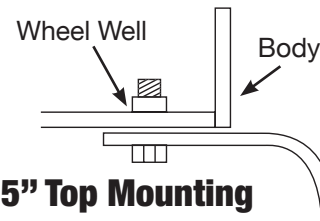
**Fenderette without Flange**



**Radius\* Required:** \_\_\_\_\_



**No Flange**



**Initial Order Quantity:** \_\_\_\_\_

**Estimated Annual Usage:** \_\_\_\_\_

**Number of Slotted Mounting Holes:** \_\_\_\_\_

**Size of Slotted Mounting Holes:**  0.313" x 1.2"  0.313" x 0.75"  0.187" x 0.75"

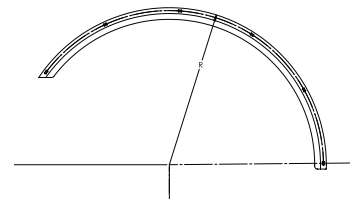
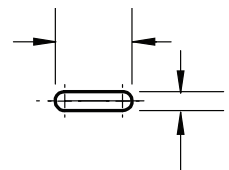
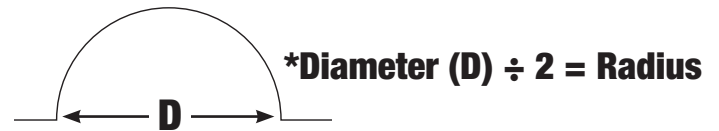
**Check All That Apply:**

Area to be Straightened (if any) Beyond Center Line: \_\_\_\_\_

If not equal, Length of Fenderette on each side of Center Line: \_\_\_\_\_ C/L \_\_\_\_\_

I need a Custom Fenderette—Please Contact Me. **Note:** Customization requests will be accommodated within our manufacturing capability. Lead times will increase.

Comments: \_\_\_\_\_  
 \_\_\_\_\_



**Please email this form, questions, drawings and CAD files to [engineering@realwheels.com](mailto:engineering@realwheels.com)**